

ALUMINIUM ACOUSTIC LOUVER (ALM300)

DESCRIPTION

Acoustic Louver are designed to provide an acoustic barrier where ventilation apertures are required in a structure preventing noise from travelling either inside or outside the building. It is Suitable in HVAC Systems as noise barrier during air intake or discharge, especially in AHU / Generator rooms

Flowtech Acoustic Louver are designed and manufacture in compliance with International Standards to achieve the optimum result through acoustic louver selection method, Supported by NEC Acoustic.

Acoustic and aerodynamic performance varies with the design, and the sizing of the louver are important to minimize concerns of pressure drop.

FEATURES

Used for ventilation openings to minimize the excessive noise in generator rooms, AHU parking spaces

Minimum pressure drop with maximum insertion losses

Available in any cross-sectional size to suit specific applications

Available in 150 and 300mm depth to meet the specific noise reduction requirement

Rugged construction yet visually appealing

Optional wire mesh to keep birds and debris out

Flanged face or butt joint design to suit the installation requirements

APPLICATION

Flowtech Acoustic Louver are suitable for duct or wall mounting installation or any application in various construction gauge to meet the most demanding application

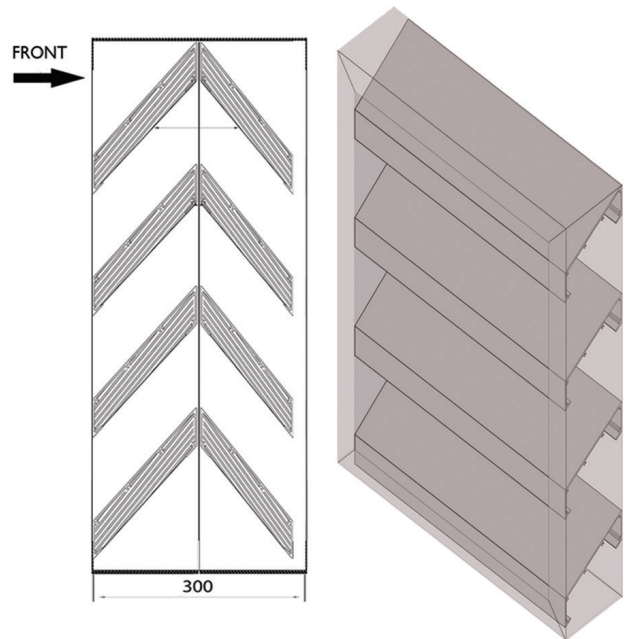
Fresh Air Intake for Ventillation Systems

Power Generating Plants

Healthcare & Hospitals

Generator Rooms & Electrical Substations

District cooling plants



TRANSMISSION LOSS (SOUND REDUCTION INDEX)

Air Gap	Frequency, Hz							
	63	125	250	500	1k	2k	4k	8k
50	3	2	5	21	32	37	28	19
75	2	2	8	23	30	25	20	16
100	1	2	10	24	25	20	17	15

*Material Specifications subject to change as per customer's demand.